

# IMPREX® PRIME



## Features

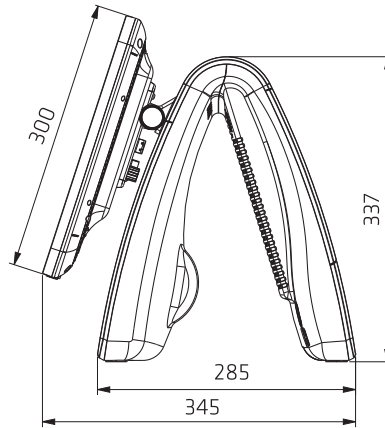
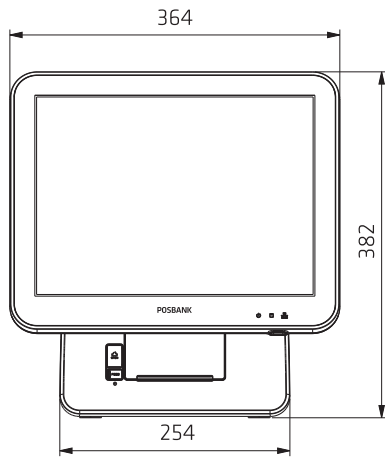
- Real All-in-One POS Terminal
- Stylish Look and Innovative Design
- High-Speed 3" Thermal Receipt Printer Integrated
- Intel®'s Latest High-Performance Processors
- 15" or 17" Bezel-Free True-Flat Display with PCAP Touch
- Multiple I/O Ports and Peripheral Options
- Tool-less and Modular Design for Easy Maintenance

## Specifications

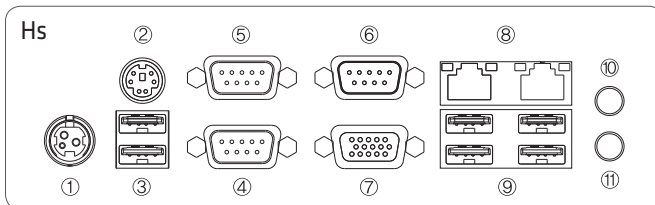
	Hs	J19		
System	<b>Processors</b>	Intel® Core™ i7-7700T (8M Cache, up to 3.80 GHz, 4 Cores) Intel® Core™ i5-7500T (6M Cache, up to 3.30 GHz, 4 Cores) Intel® Core™ i3-7100T (3M Cache, 3.40 GHz, 2 Cores) Intel® Core™ i5-6500T (6M Cache, Up to 3.10 GHz, 4 Cores) Intel® Core™ i3-6100T (3M Cache, 3.20 GHz, 2 Cores) Intel® Pentium® G4400T (3M Cache, 2.90 GHz, 2 Cores)	Intel® Celeron® J1900 (2M Cache, 2.0/2.42 GHz(Burst), 4 Cores), Fanless	
	<b>Chipset</b>	Intel® H170	Intel® Bay Trail	
	<b>Memory</b>	4GB Standard (Max. 64GB), DDR4 2133MT/s, Socket 2 x SODIMM	4GB Standard (Max. 8GB), DDR3L 1600 MT/s, Socket 2 x SODIMM	
	<b>Storage</b>	SATA 3 (6Gb/s) 2.5 inch SSD 64GB (Max. 2 Optional), Support AHCI	SATA 2 (3Gb/s) 2.5 inch SSD 64GB, Support AHCI	
	<b>RAID</b>	RAID 0,1	-	
	<b>Operating Systems</b>	Windows 10 IoT Enterprise	Windows 7, Windows 8.1, Windows 10 IoT Enterprise, POS Ready 7	
	<b>Audio</b>	Realtek ALC 892, Speaker-out 2 x 0.8W (Stereo)		
Display	<b>Type</b>	15" TFT LCD, LED Backlight   17" TFT LCD, LED Backlight		
	<b>Resolution</b>	15" 1024 x 768   17" 1280 x 1024		
	<b>Brightness</b>	15" 300 cd/m² (typ.)   17" Max. 300 cd/m² (typ.)		
	<b>Touchscreen</b>	Projective Capacitive Touch		
Interface	<b>Display</b>	1 x VGA (With Power Output)		
	<b>USB</b>	8 (Rear 6 = USB 3.0 x 6   Side 2 = USB 2.0 x 2) 3 (Reserved for MSR, SCR, i-Button/Touch Controller/Camera), RJ-45	8 (Rear 6 = USB 3.0 x 1, USB 2.0 x 5   Side 2 = USB 2.0 x 2) 3 (Reserved for MSR, SCR, i-Button/Touch Controller/Camera), RJ-45	
	<b>PS/2</b>	1 (Reserved for Keyboard or Mouse)		
	<b>Serial</b>	6 (COM1-2 with 5V/12V Power Output on 9 Pins, Jumper) (COM3 with 5V/12V Power Output on 9 Pins, BIOS) (COM4 Only TX/RX, 12V Power Output, Reserved for CDP) (COM5 Reserved for Printer) (COM6 RJ-45, Only TX/RX, 5V Power Output, Reserved for MSR)		
	<b>LAN</b>	2 x Gigabit Ethernet, RJ-45		
	<b>Audio</b>	1 x Line-out, 1 x Mic-in		
	<b>Power DC-IN</b>	1 x (3 Pin Connector)		
	<b>Extension Slot</b>	Mini PCIe		
	<b>Power</b>	<b>Power Supply</b>	Adaptor 24V, 5A	
	Physical & Environmental	<b>Operating Temperature</b>	0 °C ~ 50 °C at 10% to 80% Humidity	
<b>Storage Temperature</b>		-20 °C ~ 80 °C at 10% to 80% Humidity		
<b>Dimensions (W x H x D)</b>		364 x 382 x 345 (mm), 14.3 x 15 x 13.5 (in)		
<b>Packing Dimensions (W x H x D)</b>		460 x 480 x 460 (mm), 18.1 x 18.8 x 18.1 (in)		
<b>Net Weight</b>		9,400g, 20.7 lbs		
<b>Packing Weight</b>		12,500g, 27.5lbs		
<b>Certification</b>		CE, FCC, KC, CCC		
	<b>Color</b>	High Gloss Black, High Gloss White, Custom Colors Available		
Options & Peripherals	<b>Display</b>	17" TFT LED Backlight, 1280 x 1024		
	<b>Touchscreen</b>	5-Wired Resistive		
	<b>2nd Displays</b>	9.7", 12.1", 15" LCD Display, 1024 x 768, Optional Touchscreen		
	<b>Customer Display</b>	VFD, 20 Columns x 2 Lines		
	<b>I/O Expansion</b>	1 x Parallel Port (D-SUB 25 Pins) / 1 x DVR Card (PCI 4 Channel) / 1 x Cash Drawer Port		
	<b>Storage</b>	2.5 inch SSD 128GB, HDD 500GB, 1TB / 2nd 2.5 inch SSD 64GB, SSD 128GB, HDD 500GB, HDD 1TB		
	<b>Integrated Printer</b>	3" Jam-Free Thermal, Max. 250mm/s, Auto Cutter (Interface : Serial, USB)		
	<b>Magnetic Stripe Reader</b>	Comply with ISO 7811, Support 1 & 2 & 3 Track		
	<b>Smart Card Reader</b>	EMV Level 1, 2		
	<b>Dallas</b>	Dallas i-button Reader		
	<b>Fingerprint</b>	Yes		
	<b>System Fan</b>	1 (40mm x 40mm, Normal Type)		
	<b>Battery</b>	-	Smart Battery : 3S1P 2050mAh	
	<b>Camera</b>	5M USB Interface (Internal) (Factory Option)		
<b>WiFi</b>	Mini PCIe for Wireless LAN			

## Dimensions

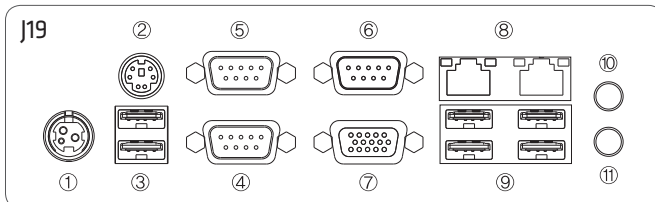
Unit : mm



## I/O Interfaces



- ① Power Connector / 24V
- ② PS/2 Connector
- ③ USB 3.0 x 2
- ④ COM 1
- ⑤ COM 2
- ⑥ COM 3
- ⑦ VGA
- ⑧ LAN x 2
- ⑨ USB 3.0 x 4
- ⑩ AUDIO OUT
- ⑪ MIC IN



- ① Power Connector / 24V
- ② PS/2 Connector
- ③ USB 2.0 x 2
- ④ COM 1
- ⑤ COM 2
- ⑥ COM 3
- ⑦ VGA
- ⑧ LAN x 2
- ⑨ USB 3.0 x 1, USB 2.0 x 3
- ⑩ AUDIO OUT
- ⑪ MIC IN

## Ordering Information

Part No.	Description
IMPRES PRIME (BP)	Intel Celeron J1900 Quad-Core, DDR3 4GB, SSD 64GB, 15" P-CAP Touch, Printer, No O/S, Black
IMPRES PRIME Hs (BP)	Intel Core i3-6100T, DDR4 4GB, SSD 64GB, 15" P-CAP Touch, Printer, No O/S, Black
IMPRES PRIME Hs (BP)	Intel Core i5-6500T, DDR4 4GB, SSD 64GB, 15" P-CAP Touch, Printer, No O/S, Black
IMPRES PRIME Hs (BP)	Intel Pentium G4400T, DDR4 4GB, SSD 64GB, 15" P-CAP Touch, Printer, No O/S, Black
IPO-MS 237 C_P_B	MSR, Black
IPO-MS 237 D3_IB_P_B	MSR + i Button, Black
IPO-MS 237 E2_SCR_B	MSR + SCR, Black
IPO-MS 237 E3_SCR_IB	MSR + SCR + i Button, Black
IMPRES P_9.7 (B)	9.7" 2nd Display, Black, No Touch
IMPRES P_12.1 (B)	12.1" 2nd Display, Black, No Touch
IMPRES P_15 (B)	15" 2nd Display, Black, No Touch
IMPRES P_CDP (B)	Customer Display, Black

## Peripherals



**2nd Display**  
• 9.7", 12.1", 15" LCD



**Customer Display**  
• VFD (2 Line x 20 Characters)



**Card Reader**  
• MSR, SCR

**POSBANK®** www.posbank.com sales@posbank.com

Copyright © 2018 POSBANK Co., Ltd.

POSBANK and the POSBANK logo are trademarks of POSBANK in the United States and other countries. All trademarks are the property of their respective owners. Intel, Celeron, Core are registered trademarks of Intel Corporation in the United States and other countries. Microsoft, Windows 7, Windows 8.1, Windows 10 IoT Enterprise and POS Ready 7 are registered trademarks of Microsoft Corporation in the United States and other countries. POSBANK shall not be liable for technical or editorial errors or omission contained herein. The information in this publication is informational purposes only and may be altered or amended by POSBANK. All statements regarding POSBANK's direction and intent are subject to change or withdraw without notice. Specifications may change without prior notice.