

VMHOLDERK - Vehicle Mount Holder Kit

The Vehicle Mount Holder kit, is a kit that includes all that is needed to have a holder to rest the scanner in, when it is not used. The intention is that the operator can quickly put the scanner in to the holder, and get it out again. The adjustable joint allows mounting the holder in a way the scanner will not fall out the holder, when the vehicle it is mounted to, encounters bumps and sills on its way.

The kit is packed in a white box with label;

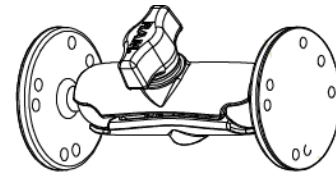
- BOX, MOTTLED WHITE W/O LOGO
size 7.625 x 4 x 3.25

with label;

- LABEL, AGENCY PKG LABEL
(The standard 4" x 2" Honeywell box label 'J' with item barcode, description en BOM rev indication)

It includes the following parts:

- BRACKET, 3800I VEHICLE MT HOLDER,
PN# 100003664 -->
- MOUNTING BRKET SMALL 7400VB, RAM-B-101U,
PN# 8000046 -->
- SCREW ASSEMBLY FOR VMHOLDERE
PN# 50111876-001 -->

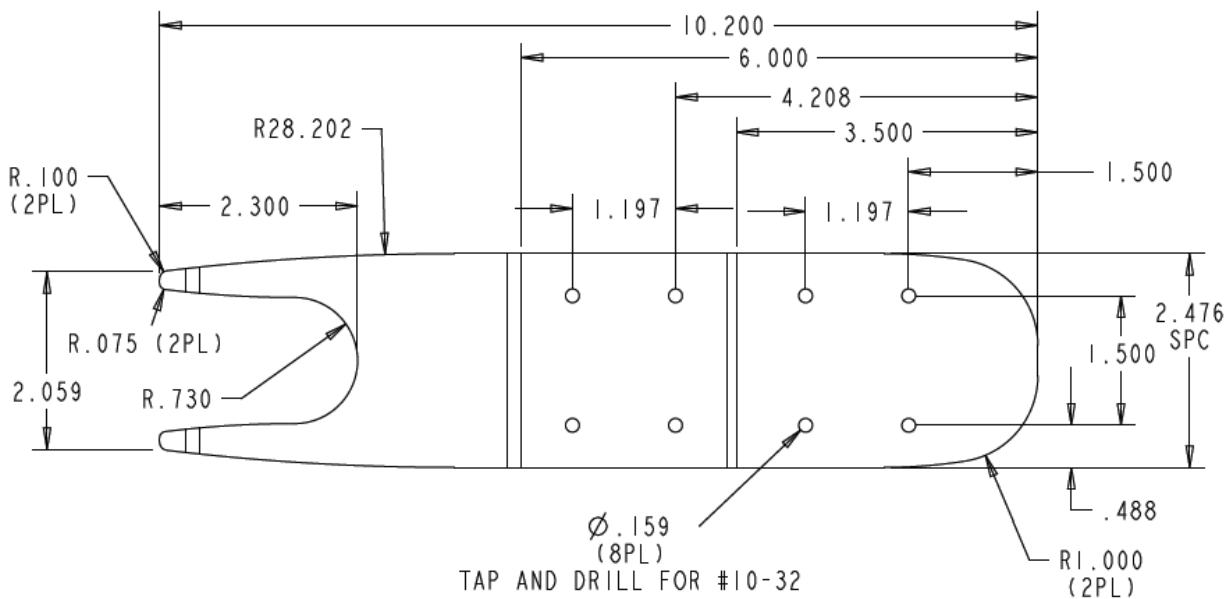
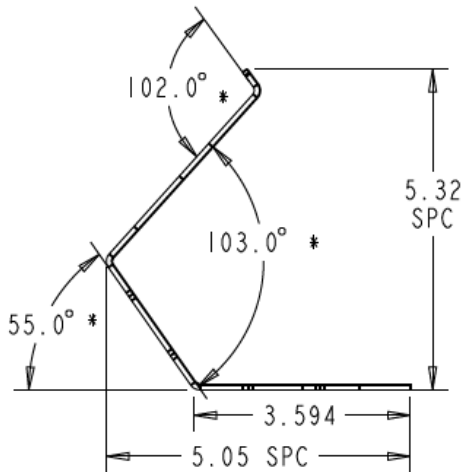


4 screws in a plastic bag
10-32 Philips, black zinc, 0.375

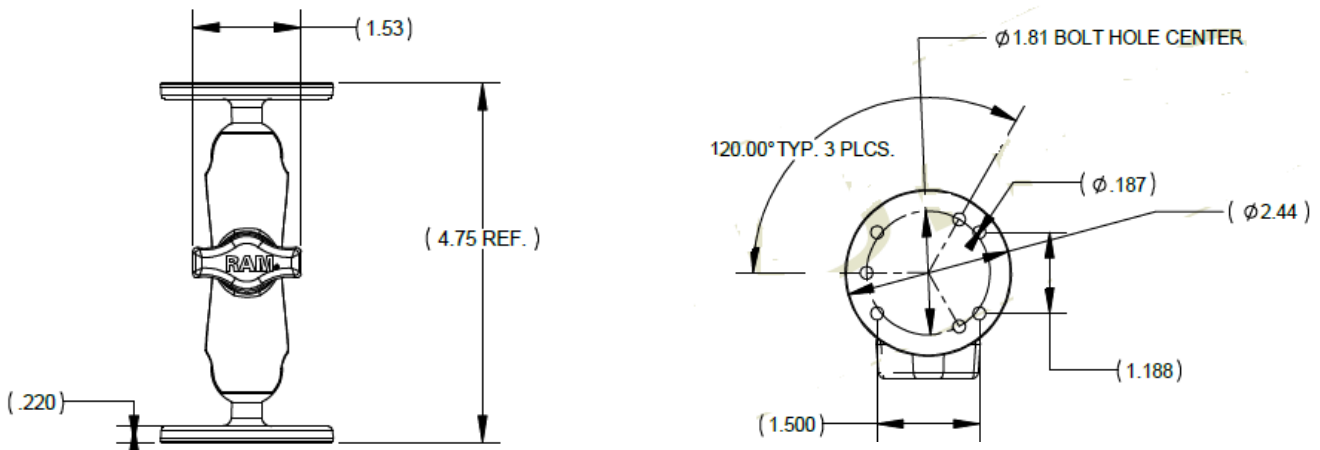


NOTE: Granit housing is not hold as tight by the holder as the original 3800i,4800i, IT5800 housings did

Measurements: BRACKET, 3800I VEHICLE MT HOLDER PN# 100003664



Measurements: MOUNTING BRKET SMALL 7400VB, RAM-B-101U (adjustable mount) PN# 8000046



Under no circumstances will Honeywell International Inc. be liable to any person or business entity for any direct, indirect, special, incidental, consequential or other damages based on any use of the information in this document or any other linked or referenced document, including, without limitation, any lost profits, business interruption, or loss of programs or information, even if Honeywell International Inc. has been specifically advised of the possibility of such damages