

APEXA® 1950



Features

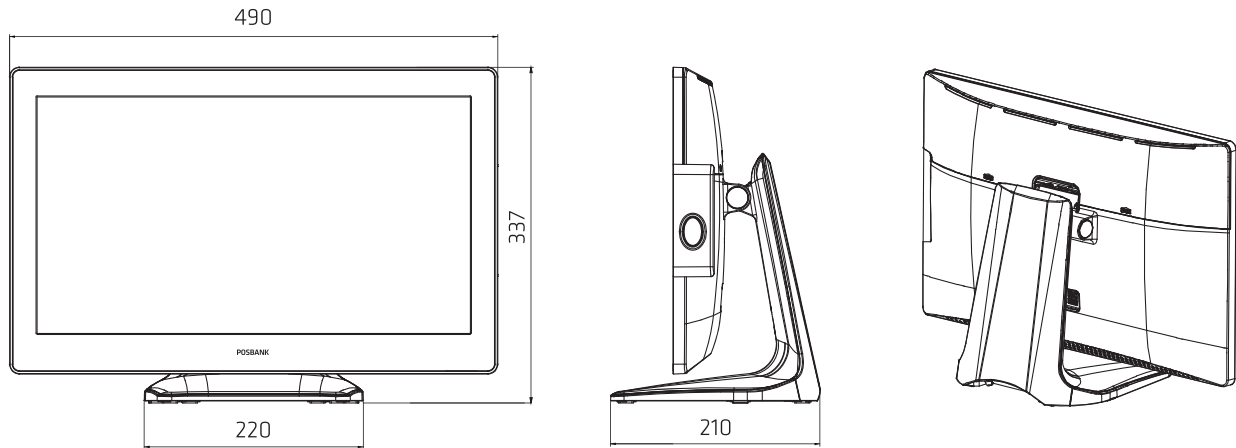
- Intel®'s Latest High-Performance Processors
- 19.5" Bezel-Free True-Flat Wide Display with PCAP Touch
- Ideal for Staff or Customer-Facing Applications in Retail and Hospitality Environments
- Multiple I/O Interfaces for Peripherals
- Designed for Countertop or Wall-Mount Solutions
- Spill and Dust Resistant
- Faster Installation and Serviceability

Specifications

	IT8786E	J3455		
System	Processors	Intel® Core™ i5-7200U (3M Cache, 2.50/3.10 GHz(Turbo), 2 Cores) Intel® Pentium® 4415U (2M Cache, 2.30 GHz, 2 Cores)	Intel® Celeron® J3455 (2M Cache, 2.3 Ghz, 4 Cores)	
	Chipset	Intel® Kaby Lake	Intel® Apollo Lake	
	Memory	4GB Standard, DDR4L 2133 MT/s, Socket 1 x SODIMM (Max. 32GB)	4GB Standard, DDR3L 1600 MT/s, Socket 1 x SODIMM	
	Storage	SATA 3 (6Gb/s) 2.5 inch SSD64/128 GB, support AHCI		
	Operating Systems	Windows 10 IoT Enterprise		
Display	Audio	Realtek ALC662-VD		
	Type	19.5" TFT LCD, LED Backlight		
	Resolution	1600 x 900		
	Brightness	250 cd/m ² (typ.)		
Interface	Touchscreen	Projective Capacitive Touch		
	Display	1 x VGA (With Power Output)		
	USB	6 (Rear 2, Back 4, USB 3.0 x 2, USB 2.0 x 4) 3 (Reserved for MSR, SCR, i-Button/Touch Controller/Camera), RJ-45		
	Serial	3 x Serial Port 3 x Dedicated for Accessories		
	LAN	1 x Gigabit Ethernet, RJ-45		
	Audio	1 x Line-out		
	Power DC-IN	1 x (3 Pin Connector)	1 x (4 Pin Connector)	
	Extension Slot	mini PCIe, m-SATA	-	
	Power	Power Supply	Adaptor 24V, 2A / 24V, 4A(Powered USB Option)	Adaptor 12V, 5A
	Physical & Environmental	Operating Temperature	0 °C ~ 60 °C at 10% to 90% Humidity	
Storage Temperature		-20 °C ~ 80 °C at 10% to 90% Humidity		
Dimensions (W x H x D)		490 x 337 x 210 (mm), 19.3 x 13.3 x 8.2 (in)		
Packing Dimensions (W x H x D)		640 x 465 x 300 (mm), 25.2 x 18.3 x 11.8 (in)		
Net Weight		9,000g, 19.8lbs		
Packing Weight		10,200g, 22.5lbs		
Certification		CE, FCC, KC (TBD), CB (TBD), CCC (TBD)		
	Color	Matte Dark Grey, High Gloss White		
Options & Peripherals	2nd Displays	9.7", 12.1", 15" LCD Display, 1024 x 768, Optional Touchscreen		
	Customer Display	VFD, 20 Columns x 2 Lines		
	I/O Expansion	1 x COM5 (RJ-45 8 Pins) (Factory Option)		1 x COM5 (RJ-45 8 Pins) (Factory Option)
		1 x Cash Drawer Port (Factory Option)		1 x Cash Drawer Port (Factory Option)
		1 x Powered USB (24V)		
	Storage	2.5 inch SSD 128GB, 256GB, HDD 500GB, 1TB		
	Magnetic Stripe Reader	Comply with ISO 7811, Support 1 & 2 & 3 Track		
	Smart Card Reader	EMV Level 1, 2 (TBD)		
	Dallas	Dallas i-button Reader (TBD)		
	Fingerprint	Yes		
	Wall Mount Kit	VESA-Compatible, 75 x 75 (mm), 100 x 100 (mm)		
	Serial Conversion Cable	RJ-45 to D-sub 9		
	Speaker	2 x 0.8W (Stereo) (Factory Option)		
WiFi	WLAN (802.11 a/b/g/n), On-board [Factory Option]	USB to WiFi Module (Factory Option)		

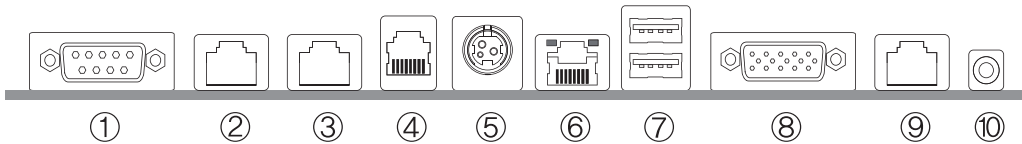
Dimensions

Unit : mm



I/O Interfaces

IT8786E



- | | | | | |
|---------|---------|-------------------------------------|---------------|-------------|
| ① COM 1 | ③ COM 3 | ⑤ Power Connector / 24V - J3455 12V | ⑦ USB 3.0 x 2 | ⑨ MSR |
| ② COM 2 | ④ COM 4 | ⑥ LAN | ⑧ VGA | ⑩ AUDIO OUT |

Peripherals



2nd Display
• 9.7", 12.1", 15" LCD



Customer Display
• VFD (2 Line x 20 Characters)



Card Reader
• MSR, SCR



Multiple I/O interfaces
• 6 USB ports, 6 Serial ports, and more

POSBANK®

HEADQUARTERS EUROPE / Via P. Mattarella, 32 / 30030 Gardigiano di Scorzè (VE) / T +39 041 58 30 380 / F +39 041 58 30 595 / www.posbank.eu / info@posbank.eu
BRANCH OFFICE MADRID / Edificio Spaces, Calle de José Abascal 41 / 28003 Madrid / T +34 91 91 57 334

Svensk distributör och generalagent

Origum Distribution AB
Generatorgatan 6
195 60 Arlandastad

08-410 509 50

origum@origum.se
www.origum.se