

# APEXA® GW-1560



## Features

- 15.6" Wide Touchscreen POS Terminal
- Intel® Core™ / Pentium™ / Celeron™ Quad-Core Processor
- Bezel-Free TFT Display with PCAP Touch & LED Backlight
- Spill and Dust Resistant
- Contemporary and Modern Styling
- Multiple I/O Interfaces for Peripherals
- Flexible Deployment on a Counter or a Wall
- Fast Installation and Easy Serviceability

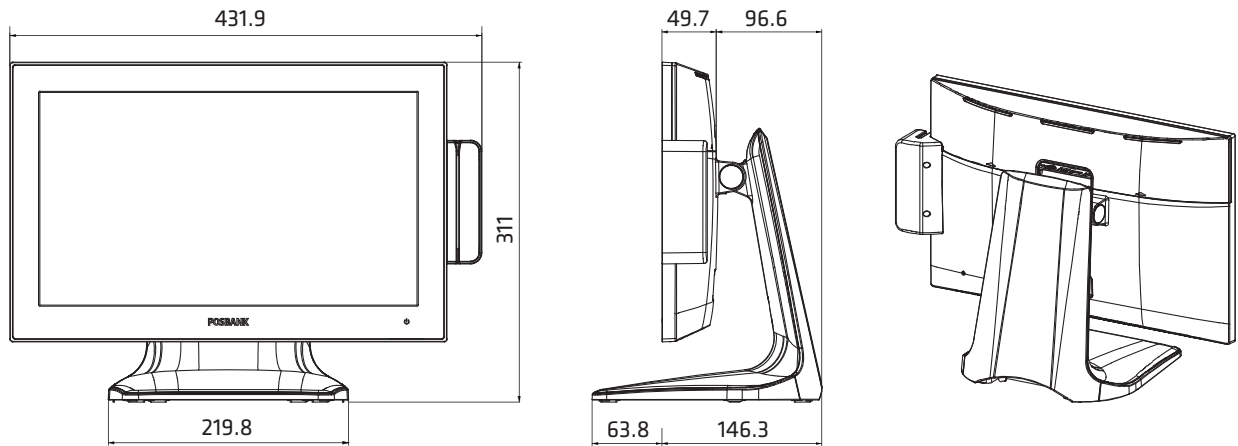
## Specifications

System	Processors	Intel® Core™ i5-7200U (3M Cache, 2.50/3.10 GHz(Turbo), 2 Cores) Intel® Pentium® 4415U (2M Cache, 2.30 GHz, 2 Cores) Intel® Celeron® J3455 (2M Cache, 2.3 Ghz, 4 Cores)
	Chipset	7200U/4415U Intel® Kaby Lake J3455 Intel® Apollo Lake
	Memory	7200U/4415U 4GB Standard, DDR4L 2133 MT/s, Socket 1 x SODIMM (Max. 32GB) J3455 4GB Standard, DDR3L 1600 MT/s, Socket 1 x SODIMM
	Storage	SATA 3 (6Gb/s) 2.5 inch SSD64/128 GB, support AHCI
	Operating Systems	Windows 10 IoT Enterprise
	Audio	Realtek ALC662-VD
Display	Type	15.6" TFT LCD, LED Backlight
	Resolution	1366 x 768
	Brightness	400 cd/m <sup>2</sup> (typ.)
	Touchscreen	Projected Capacitive Touch
Interface	Display	1 x VGA (With Power Output)
	USB	6 (Rear 2, Back 4, USB 3.0 x 2, USB 2.0 x 4) 3 (Reserved for MSR, SCR, i-Button/Touch Controller/Camera), RJ-45
	Serial	3 x Serial Port 3 x Dedicated for Accessories
	LAN	1 x Gigabit Ethernet, RJ-45
	Audio	1 x Line-out
	Power DC-IN	7200U/4415U 1 x (3 Pin connector) J3455 1x (4 Pin Connector)
	Extension Slot	Mini PCIe, m-SATA
Power	Power Supply	7200U/4415U Adaptor 24V, 2A/24V, 4A ( Powered USB Option) J3455 Adaptor 12V, 5A
	Operating Temperature	0 °C ~ 60 °C at 10% to 90% Humidity
Physical & Environmental	Storage Temperature	-20 °C ~ 80 °C at 10% to 90% Humidity
	Dimensions (W x H x D)	400 x 311 x 210 (mm), 15.7 x 12.2 x 8.3 (in)
	Packing Dimensions (W x H x D)	500 x 470 x 300 (mm), 19.6 x 18.5 x 11.8 (in)
	Net Weight	7,000g, 15.4lbs
	Packing Weight	9,000g, 19.8lbs
	Certification	CE, FCC, KC
	Color	Matte Dark Grey, High Gloss White
Options & Peripherals	2nd Displays	9.7", 12.1", 15" LCD Display, 1024 x 768, Optional Touchscreen
	Customer Display	VFD, 20 Columns x 2 Lines
	I/O Expansion	1 x COM5 (RJ-45 8 Pins) (Factory Option)
		1 x Cash Drawer Port (RJ-11 6 Pins) (Factory Option)
		1 x Powered USB (24V)
	Storage	2.5 inch SSD 128GB, 256GB, HDD 500GB, 1TB
	Magnetic Stripe Reader	Comply with ISO 7811, Support 1 & 2 & 3 Track
	Smart Card Reader	EMV Level 1, 2
	Dallas	Dallas i-button Reader
	Fingerprint	Yes
	Wall Mount Kit	VESA-Compatible, 75 x 75(mm), 100 x 100(mm)
	Serial Conversion Cable	RJ-45 to D-sub 9
Speaker	2 x 1W (Stereo) (Factory Option)	
WiFi	WLAN (802.11 a/b/g/n), On-board [Factory Option]	

\* Specifications may change without prior notice.

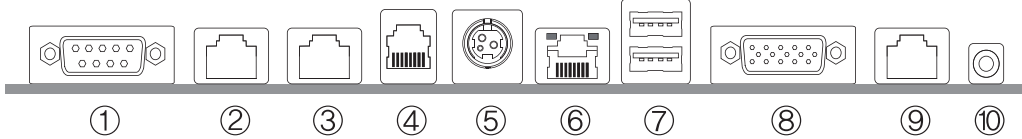
## Dimensions

Unit : mm



## I/O Interfaces

IT8786E



- |         |         |  |               |             |
|---------|---------|--|---------------|-------------|
| ① COM 1 | ③ COM 3 | ⑤ Power Connector / DC 24V / J3455 12V | ⑦ USB 3.0 x 2 | ⑨ MSR       |
| ② COM 2 | ④ COM 4 | ⑥ LAN                                  | ⑧ VGA         | ⑩ AUDIO OUT |

## Peripherals



**2nd Display**  
• 9.7", 12.1", 15" LCD



**Customer Display**  
• VFD (2 Line x 20 Characters)



**Card Reader**  
• MSR, SCR



**Multiple I/O interfaces**  
• 6 USB ports, 6 Serial ports, and more

**POSBANK®**

HEADQUARTERS EUROPE / Via P. Mattarella, 32 / 30030 Gardigiano di Scorzè (VE) / T +39 041 58 30 380 / F +39 041 58 30 595 / [www.posbank.eu](http://www.posbank.eu) / [info@posbank.eu](mailto:info@posbank.eu)  
BRANCH OFFICE MADRID / Edificio Spaces, Calle de José Abascal 41 / 28003 Madrid / T +34 91 91 57 334

### Svensk distributör och generalagent

Origum Distribution AB  
Generatorgatan 6  
195 60 Arlandastad

08-410 509 50

[origum@origum.se](mailto:origum@origum.se)  
[www.origum.se](http://www.origum.se)